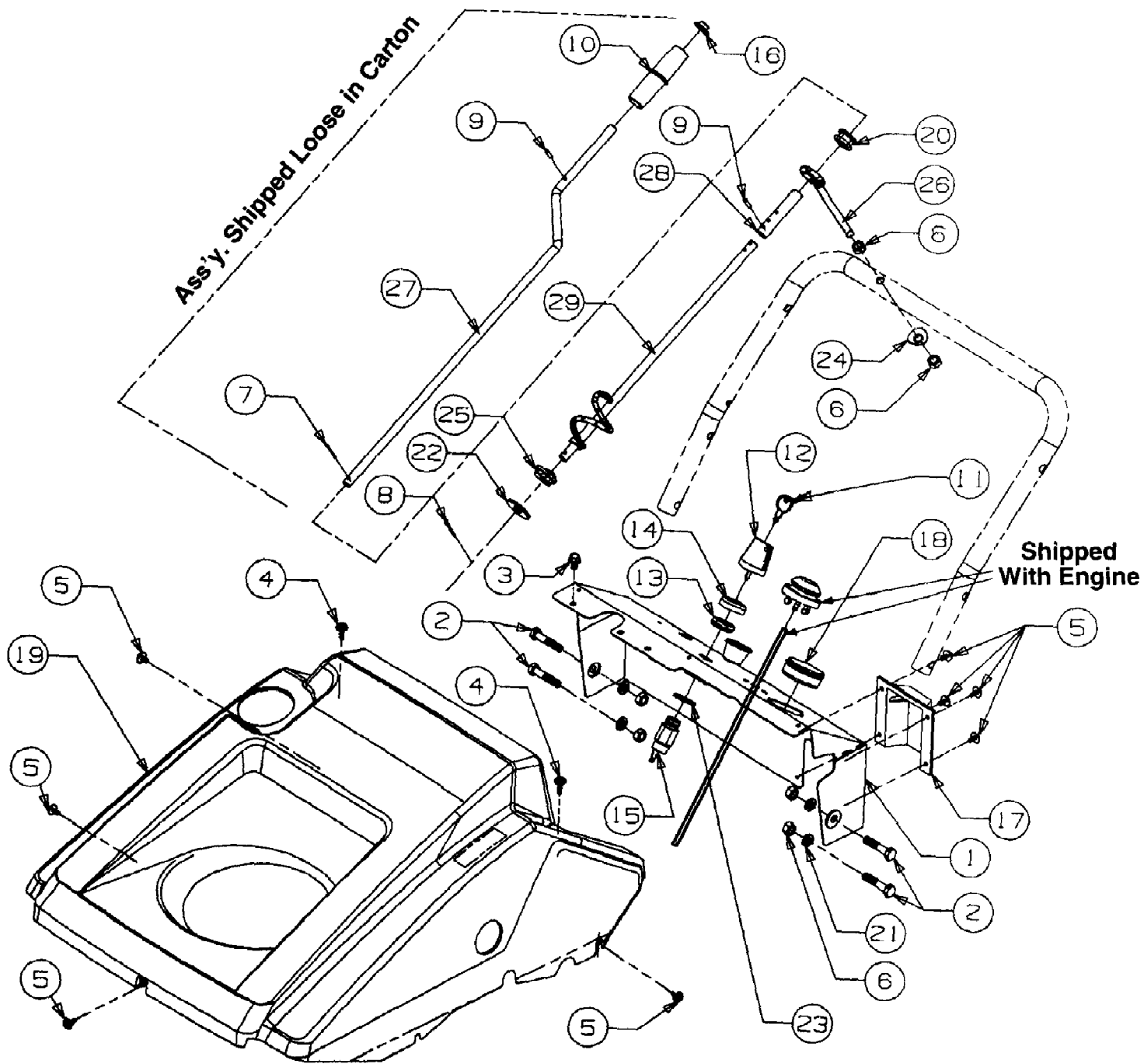


316E162-190 Snow Boss 55 (1996)
Chassis

Page 2 of 8

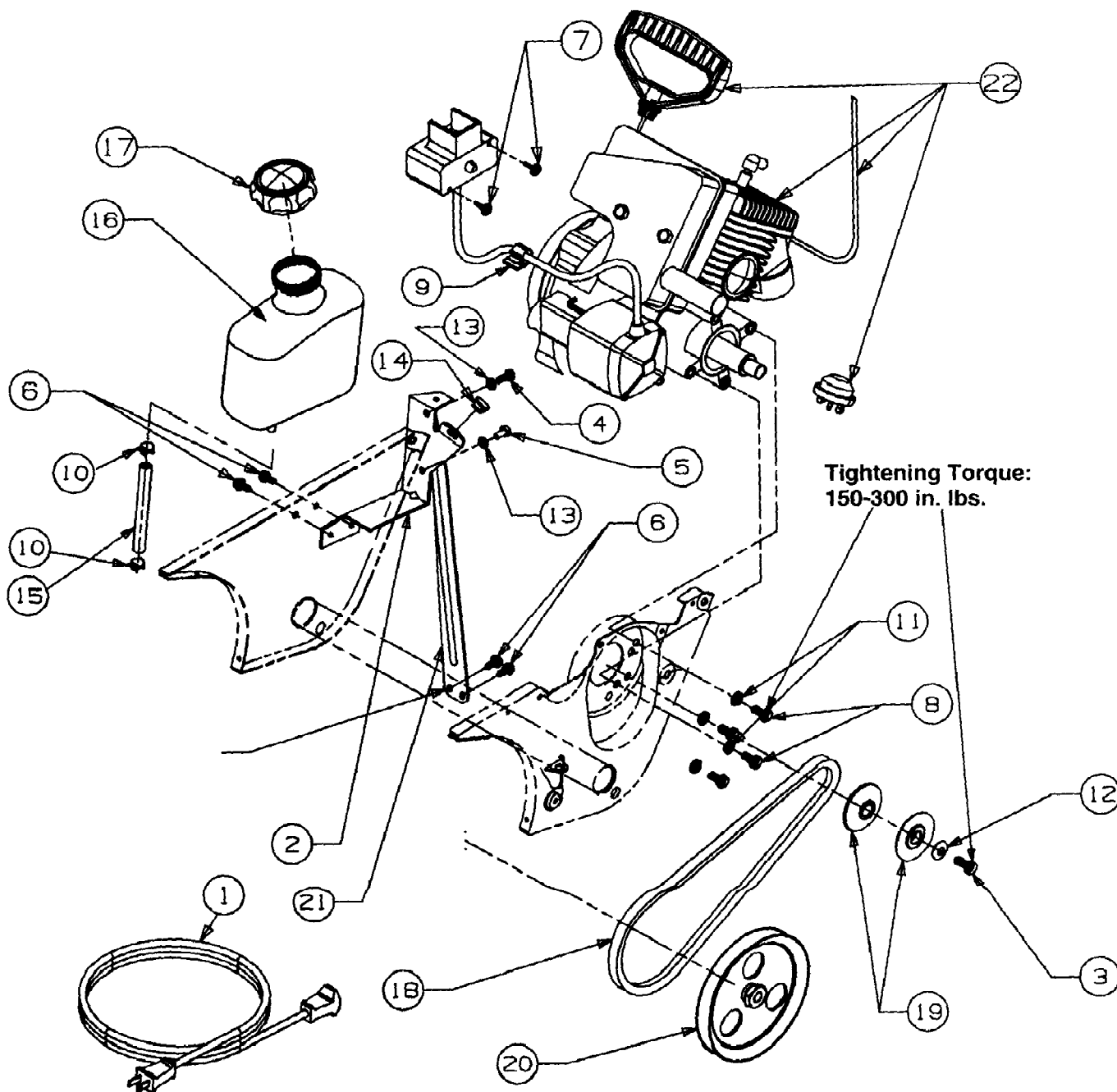
Ref #	Part Number	Qty	S/P/F	Description
1	710-0167	1	/P	Carriage Bolt
2	710-0276	1	/P	Carriage Bolt
3	710-0323	1	/P	Pan Head Screw
4	710-0451	1	/P	Carriage Bolt
5	710-0642	1	/P	Hex Washer Screw
6	710-1005	1	S	Hex Washer Screw
7	710-0773	1		Hex Washer Screw
8	710-0896	1	/P	Hex Washer Screw
9	710-3015	1	/P	Hex Cap Screw
10	711-0848A	1	S	Axle
11	712-0429	1	S	Hex Center Lock Nut
12	712-3010	1	S	Hex Nut
13	712-0116	1	S	Hex Lock Nut
14	712-3027	1	S	Hex Lock Flanged Nut
15	712-3027	1	S	Hex Lock Flanged Nut
16	720-0284	1	S	Knob
17	731-0851A	1	/P	Chute Keeper
18	731-0915B	1	S	Lower Chute
19	731-0921	1	S	Upper Chute
20	731-1033	1	/P	Shave Plate
21	732-0357A	1	S	Extension Spring
22	736-0108	1	S	Flat Washer
23	736-0119	1	S	Lock Washer
25	736-0176	1	S	Flat Washer
26	736-0159	1	S	Washer
27	736-0326	1	S	Flat Washer
28	736-0329	1	S	Lock Washer
30	741-0600	1	S	Ball Bearing
31	746-0910A	1	S	Cable-Clutch
32	748-0234	1	/P	Spacer
33	749-0796	1	S	Handle-Lower
34	756-0313	1	/P	Flat Idler
35	784-5174	1	S	Bearing Cup
36	784-5176	1		Cover-Belt
37	753-0712	1	S	Idler/Brake Bracket Service Kit; Replaces P/N 784-5180
38	753-0713	1		Blower Housing Service Kit; Replaces P/N 784-5325
39	784-5485	1	S	Auger Ass'y. Comp.
40	753-0613	1		Auger Rubber Replacement Kit
41	710-0352	1	/P	Hex Washer Screw
42	784-5720	1	S	Crank Bracket
?43	710-0451	1	/P	Cap Screw
44	736-0242	1	/P	Bell Washer
45	741-0475	1	S	Bushing
46	710-0191	1	/P	Hex Screw
	737-0133	1	S	Grease (Not Shown)
	734-1176	1		Wheel Ass'y (Not Shown)



316E162-190 Snow Boss 55 (1996)
Cover And Dash

Page 4 of 8

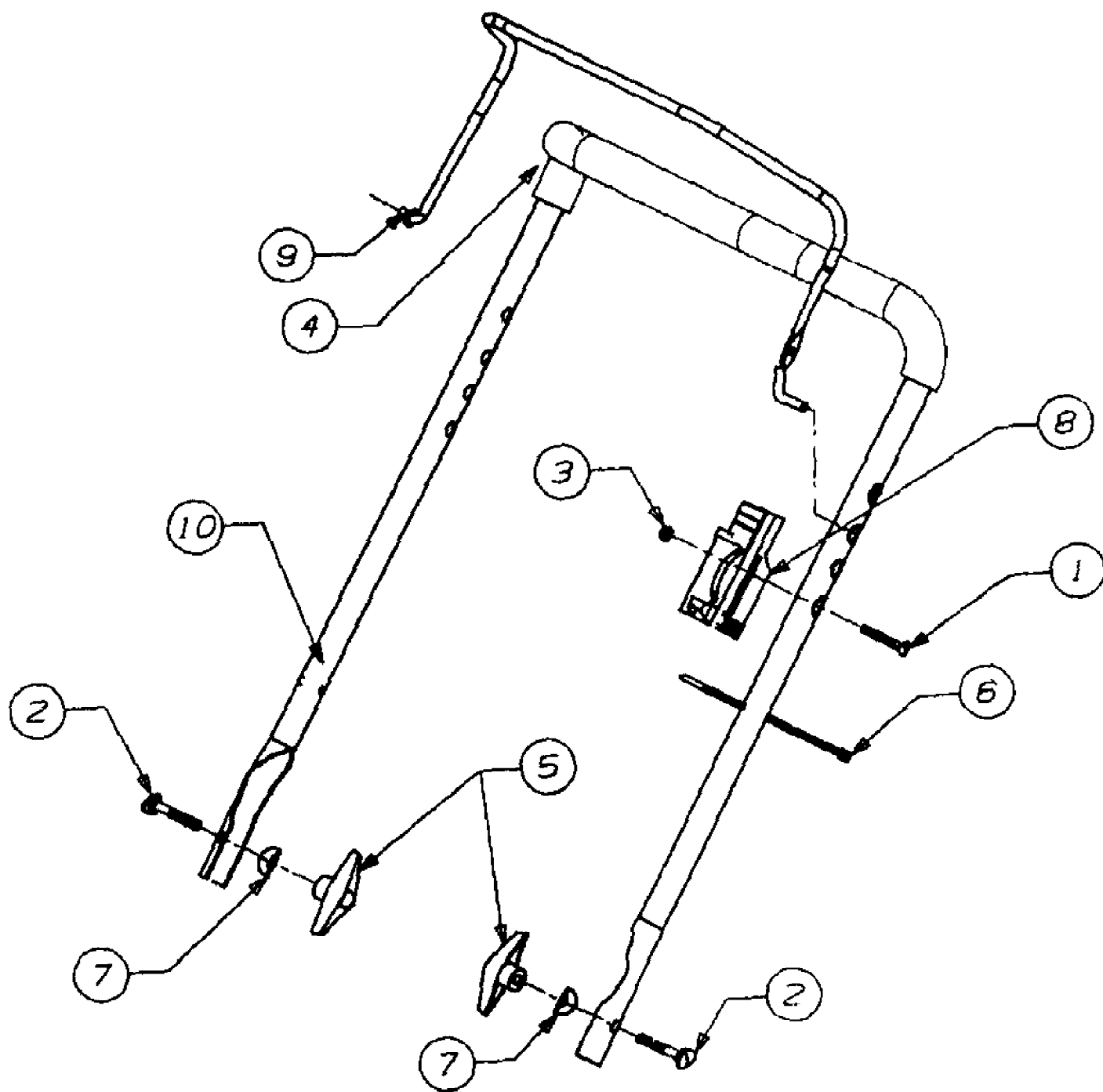
Ref #	Part Number	Qty	S/P/F	Description
1	684-0054	1	S	Dash
2	710-0442	4	S	Screw - Hex Cap
3	710-0653	1	/P	Screw - Hex
4	710-1003	2	/P	Screw - Hex
5	710-1268	8	/P	Screw - Hex
6	712-0267	6	S	Nut - Hex
7	714-0111	1	S	Pin - Cotter
8	714-0507	1	S	Pin - Cotter
9	715-0138	2	S	Pin Roll
10	720-0201A	1	/P	Knob - Chute Crank
11	725-0201	1	S	Key - Ignition
12	725-1341B	1	/P	Key - Ignition with Logo
13	725-1346	1	S	Nut - Ignition Switch
14	725-1347	1	/P	Cover - Ignition Switch
15	725-1425	1	S	Switch
16	726-0100	1	S	Cap - Push
17	731-1089	1	S	Cover - Choke
18	731-1133	1	S	Plug - Insert
19	731-1551	1		Shroud - Gray
20	735-0234	1		Grommet - Rubber
21	736-0119	4	S	Washer - Lock
22	736-0133	1	S	Washer - Flat
23	736-0225	1	/P	Washer - Lock Internal
24	736-0451	1	S	Washer - Saddle
25	741-0403	1	/P	Bushing - Hex
26	747-0697	1	/P	Eyebolt - Chute Crank
27	747-0737	1	S	Crank - Upper
28	750-0785	1	S	Spacer
29	784-5497	1		Crank - Lower



316E162-190 Snow Boss 55 (1996)
Engine And V-Belt

Page 6 of 8

Ref #	Part Number	Qty	S/P/F	Description
1	629-0236	1	/P	Cord - Extension 110V3M 2 Prong For model 316E162-190 Only
2	705-5139	1		Bracket - Support Fuel Tank
3	710-0157	1	/P	Screw - Hex Cap
4	710-0258	1	S	Screw - Hex Cap
5	710-0289	1	S	Screw - Hex
6	710-0896	4	/P	Screw - Washer
7	710-1003	2	/P	Screw - Hex For model 316E162-190 Only
8	710-3025	4	/P	Screw - Hex Cap
9	726-0152	1		Clamp - Mounting For model 316E162-190 Only
10	726-0205	2	/P	Clamp - Hose
11	736-0119	4	S	Washer - Lock
12	736-0242	1	/P	Washer - Bell
13	736-0329	2	S	Washer - Lock
14	741-0475	1	S	Bushing - Plastic
15	751-0535-16	1	S	Hose - Fuel Line 16"
16	751-0540	1	S	Tank - Fuel 2 Qt.
17	751-0603	1	S	Cap - Fuel
18	754-0101A	1	S	V-Belt
19	756-0416B	2	S	V-Pulley Half
20	756-0475	1	/P	Pulley
21	784-5603	1	S	Brace - Fuel Tank
22		1		Engine Obtain from Manufacturer



316E162-190 Snow Boss 55 (1996)
Handle

Page 8 of 8

Ref #	Part Number	Qty	S/P/F	Description
1	710-0605	1	/P	Screw - Oval C-Sink L
2	710-1174	2	/P	Bolt - Carriage
3	712-0324	1	/P	Nut Insul. Lock
4	720-0226	1	S	Grip Foam
5	720-0276	2	S	Knob Handle
6	725-0157	1	/P	Tie Cable
7	736-0451	2	S	Washer Saddle
8	746-0875	1	S	Body - Lever Control
9	747-0615	1	S	Handle Ass'y. Control
10	749-0711A	1		Handle - Upper